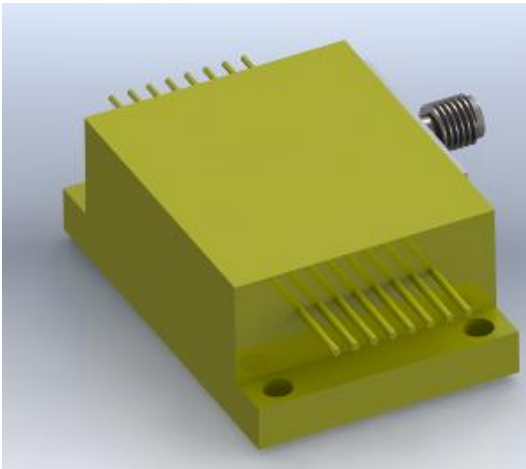
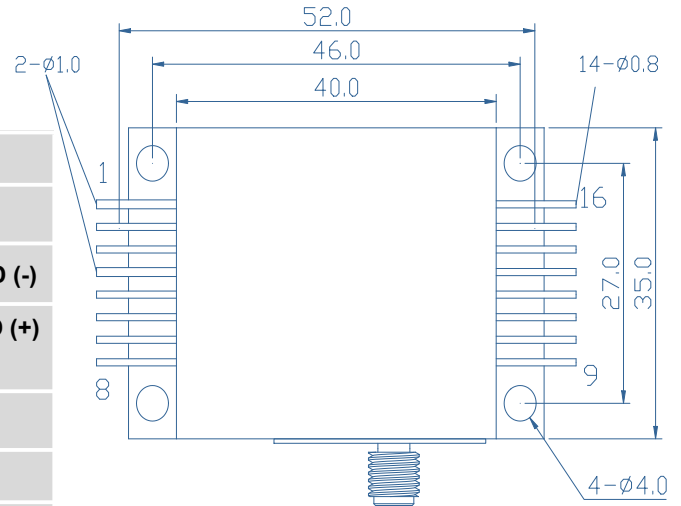
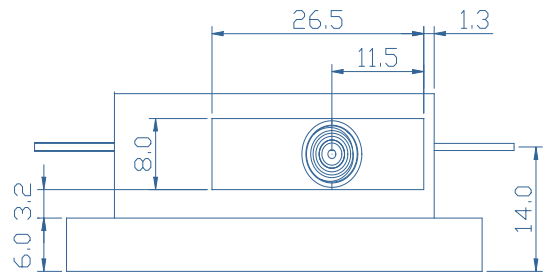
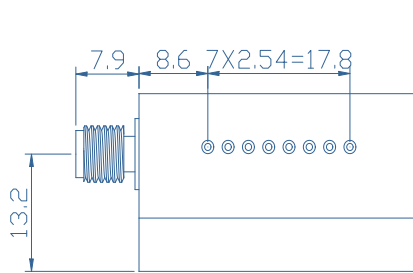


## G-Series High Power Laser Diode Module



- Features
- ◆ High output power of 30 W
  - ◆ 400μm/0.22NA multimode optical fiber
  - ◆ Center wavelength 1064±10nm
- Applications
- ◆ Medical Application

### Package Dimensions (mm)



**Pin-Out Assignment**

Pin	Function	Pin	Function
1	LD(+)	9	Fiber Connector Detector LED (-)
2	-	10	Fiber Connector Detector LED (+)
3	-	11	PD (P)
4	LD (-)	12	PD (N)
5	-	13	-
6	-	14	PD (P)
7	Aiming Beam (+5V) *	15	Thermistor
8	Aiming Beam (0)	16	Thermistor

## Typical Device Performance (25°C)

	Min	Typical	Max	Unit
<b>Optical</b>				
CW Output Power	-	30	-	W
Center Wavelength	-	1064±10	-	nm
Spectral Width (90% of Power)	-	<10.0	-	nm
Wavelength Shift with Temperature	-	0.3	-	nm / °C
<b>Electrical</b>				
Threshold Current	-	1	-	A
Operating Current	-	13.4	-	A
Operating Voltage	-	4.4	-	V
Slope Efficiency	-	2.4	-	W / A
Power Conversion Efficiency	-	50	-	%
<b>Fiber*</b>				
Fiber Core Diameter	-	400	-	μm
Fiber Cladding Diameter	-	440	-	μm
Fiber Buffer Diameter	-	700	-	μm
Numerical Aperture	-	0.22	-	-
Fiber Length	-	1-5	-	m
Fiber Connector	-	-	-	-

\* Customized fiber and connector available.

## Absolute Ratings

	Min	Max	Unit
Operating Temperature	15	35	°C
Operating Relative Humidity	-	75	%
Cooling Mode	-	Water cooling (25°C)	-
Storage Temperature	-20	80	°C
Storage Relative Humidity	-	90	%
Lead Soldering Temperature (10 s max)	-	250	°C

This instruction is for reference only. Han's TCS improves its products continually, therefore may change specifications without notice to customers, for details, please contact with Han's TCS sales.

@2022 Han's TianCheng Semiconductor Co., Ltd. All rights reserved.